

MAXIMUS MPX RANGE, ACCESSORIES



CMS-CMA

ARMoured AND UNARMoured MULTI-POLAR CABLES SOLD BY THE METRE

Prepared for Ethernet, video, I/O and telemetry connections

Resistant to oil, flames and ultra-violet rays

Available in an armoured and unarmoured version

Available in black or blue

Designed for potentially explosive zones



CMS-CMA

MPXCABL - MPXCABLARM

CABLED MULTI-POLAR CABLES, ARMoured AND UNARMoured, FOR EXPLOSION-PROOF PAN & TILT OF THE MAXIMUS MPX/MPXT/MPXHD SERIES

Pre-cabled for Ethernet, video, I/O and telemetry connections

Equipped with barrier cable gland

Resistant to oil, flames and ultra-violet rays

Available in an armoured and unarmoured version

Designed for potentially explosive zones



MPXCABL-MPXCABLARM

WASEX

WASHER PUMP WITH EX-PROOF SOLENOID VALVE

Delivery head up to 20m

Water tank capacity: 10l (2.6gal)

Suitable for MAXIMUS series or with third-party products

Power supply in 24Vac/dc, 5W max



WASEX

FM1010

EMC FILTER FOR MARINE CERTIFICATION

Electrical data: from 0 up to 250V DC/AC 50/60 Hz, 6A



FM1010

MAXIMUS MBA

EXPLOSION-PROOF COMMUNICATION BOX IN ALUMINIUM

Certifications for use in Zones 1 and 2, IIC T5 or T6 Group (Gas) and in Zones 21 and 22, IIIC T100°C or T85°C Group (Dust)

Copper-free marine grade aluminium construction, RAL 9006 external epoxy paint

Extended/Industrial range electronics

Operating temperature: from -40°C (-40°F) up to +70°C (158°F)

IP66



MAXIMUS MBA

TECHNICAL DATA

CMS-CMA

CMSN2200

GENERAL

Unarmoured black cable: 2 Ethernet cables, 3 power supply conductors, 2 coaxial video cables, 15 alarm conductors, relay and telemetry

MECHANICAL

Unarmoured cable

External diameter: 18.6mm (0.73in) ± 0.35mm

Minimum bending radius: 186mm

Colour: Black (RAL9005)

ELECTRICAL

Power supply

- Number of conductors (electrical): 3
- Section: 1.5mm²
- Working voltage: 300V max

NETWORK

Ethernet: 2 cables, Category 5E, shielded cables

VIDEO

2 coaxial cables, RG179

I/O INTERFACE

Alarms, relay and telemetry

- Number of conductors (electrical): 15
- Section: 0.34mm²

ENVIRONMENT

Temperature: from -40°C (-40°F) up to +85°C (+185°F)

Type of laying: fixed installation

Oil resistant (complies with CNOMO E.03.40.150N, ASTM n.2, IRM 902, IEC60811-2-1)

UV resistant (complies with UL1581)

Flame resistant (complies with IEC/EN 60332-1)

CERTIFICATIONS

UL Style 20233

COMPLIANCE

IEC/EN 60079-14 (ATEX Ex II)

CMSB2200

GENERAL

Unarmoured blue cable: 2 Ethernet cables, 3 power supply conductors, 2 coaxial video cables, 15 alarm conductors, relay and telemetry

MECHANICAL

Unarmoured cable

External diameter: 18.6mm (0.73in) ± 0.35mm

Minimum bending radius: 186mm

Colour: Blue (RAL5015)

ELECTRICAL

Power supply

- Number of conductors (electrical): 3
- Section: 1.5mm²
- Working voltage: 300V max

NETWORK

Ethernet: 2 cables, Category 5E, shielded cables

VIDEO

2 coaxial cables, RG179

I/O INTERFACE

Alarms, relay and telemetry

- Number of conductors (electrical): 15
- Section: 0.34mm²

ENVIRONMENT

Temperature: from -40°C (-40°F) up to +85°C (+185°F)

Type of laying: fixed installation

Oil resistant (complies with CNOMO E.03.40.150N, ASTM n.2, IRM 902, IEC60811-2-1)

UV resistant (complies with UL1581)

Flame resistant (complies with IEC/EN 60332-1)

CERTIFICATIONS

UL Style 20233

COMPLIANCE

IEC/EN 60079-14 (ATEX Ex II)

CMAN1200

GENERAL

Armoured black cable: 1 Ethernet cable, 3 power supply conductors, 1 coaxial video cable, 7 alarm conductors, relay and telemetry

MECHANICAL

Armoured cable

External diameter: 20.0mm (0.78in) ± 0.5mm (0.02in)

Minimum bending radius: 220mm

Colour: Black (RAL9005)

ELECTRICAL

Power supply

- Number of conductors (electrical): 3
- Section: 2.5mm²
- Working voltage: 300V max

NETWORK

Ethernet: 1 cable, Category 5E, shielded cable

VIDEO

1 coaxial cable, RG179

I/O INTERFACE

Alarms, relay and telemetry

- Number of conductors (electrical): 7
- Section: 0.34mm²

ENVIRONMENT

Temperature: from -60°C (-76°F) up to +105°C (+221°F)

Type of laying: fixed installation

Oil resistant (complies with CNOMO E.03.40.150N, ASTM n.2, IRM 902, VDE 0472 p.803 test B)

UV resistant (complies with IEC 60068-2-5)

Flame resistant (complies with IEC/EN 60332-1, IEC/EN 60332-3-22)

COMPLIANCE

IEC/EN 60079-14 (ATEX Ex II)

CMAB1200

GENERAL

Armoured blue cable: 1 Ethernet cable, 3 power supply conductors, 1 coaxial video cable, 7 alarm conductors, relay and telemetry

MECHANICAL

Armoured cable

External diameter: 18.0mm (0,7in) ± 0.5mm (0.02in)

Minimum bending radius: 230mm (9.0in)

Colour: Blue (RAL5015)

ELECTRICAL

Power supply

- Number of conductors (electrical): 3
- Section: 1.5mm²
- Working voltage: 300V max

NETWORK

Ethernet: 1 cable, Category 5E, shielded cable

VIDEO

1 coaxial cable, RG179

I/O INTERFACE

Alarms, relay and telemetry

- Number of conductors (electrical): 7
- Section: 0.34mm²

ENVIRONMENT

Temperature: from -60°C (-76°F) up to +105°C (+221°F)

Type of laying: fixed installation

Oil resistant (complies with CNOMO E.03.40.150N, ASTM n.2, IRM 902, VDE 0472 p.803 test B)

UV resistant (complies with IEC 60068-2-5)

Flame resistant (complies with IEC/EN 60332-1, IEC/EN 60332-3-22)

COMPLIANCE

IEC/EN 60079-14 (ATEX Ex II)

PART NUMBER

CMAB1200	Armoured blue cable
CMAN1200	Armoured black cable
CMSB2200	Unarmoured blue cable
CMSN2200	Unarmoured black cable

MPXCABL - MPXCABLARM

MPXCABL

GENERAL

Unarmoured, multi-polar, assembled, black cable with barrier cable gland 3/4" NPT
Cabling for Pan & Tilt MAXIMUS MPX/MAXIMUS MPXT: 2 Ethernet cables, 3 power supply conductors, 2 coaxial video cables, 15 alarm conductors, relay and telemetry

MECHANICAL

Unarmoured cable
Length: 4m (13.1ft) or 10m (32ft)
External diameter: 18.6mm (0.73in) ± 0.35mm
Minimum bending radius: 186mm

ELECTRICAL

Power supply

- Number of conductors (electrical): 3
- Section: 1.5mm²
- Working voltage: 300V max

NETWORK

Ethernet: 2 cables, Category 5E, shielded cables

SERIAL COMMUNICATIONS

Telemetry: RS-422, RS-485

VIDEO

2 coaxial cables, RG179

I/O INTERFACE

Alarms: 5
Relay: 2

ENVIRONMENT

Temperature: from -40°C (-40°F) up to +80°C (+176°F)
Type of laying: fixed installation
Oil resistant (complies with CNOMO E.03.40.150N, ASTM n.2, IRM 902, IEC60811-2-1)
UV resistant (complies with UL1581)
Flame resistant (complies with IEC/EN 60332-1)

COMPLIANCE

IEC/EN 60079-14 (ATEX Ex II)
IP protection degree: IP66 (cable gland only)

PART NUMBER

MPXCABL4	Cabling for MPX/MPXT, 4m (13ft) (unarmoured cable and barrier cable gland): 2 Ethernet cables, 3 power supply wires, 2 coaxial video cables, 15 wires for alarms, relays and telemetry
MPXCABL10	Cabling for MPX/MPXT, 10m (394in) (unarmoured cable and barrier cable gland): 2 Ethernet cables, 3 power supply wires, 2 coaxial video cables, 15 wires for alarms, relay and telemetry

Part number to order with a PTZ camera. The cabling will be pre-installed in the PTZ in Videotec.

SPARE PARTS

OCABLMPX4	Cabling for MPX/MPXT, 4m (13ft) (unarmoured cable and barrier cable gland): 2 Ethernet cables, 3 power supply wires, 2 coaxial video cables, 15 wires for alarms, relays and telemetry
OCABLMPX10	Cabling for MPX/MPXT, 10m (394in) (unarmoured cable and barrier cable gland): 2 Ethernet cables, 3 power supply wires, 2 coaxial video cables, 15 wires for alarms, relay and telemetry

MPXCABLARM

GENERAL

Armoured, multi-polar, assembled, black cable with barrier cable gland 3/4" NPT
Cabling for Pan & Tilt MAXIMUS MPX/ MAXIMUS MPXHD: 1 Ethernet cable, 3 power supply conductors, 1 coaxial video cable, 7 conductors for alarms, relay and telemetry

MECHANICAL

Armoured cable
Length: 4m (13.1ft) or 10m (32ft)
External diameter: 20.0mm (0.78in) ± 0.5mm (0.02in)
Minimum bending radius: 220mm

ELECTRICAL

Power supply

- Number of conductors (electrical): 3
- Section: 2.5mm²
- Working voltage: 300V max

NETWORK

Ethernet: 1 cable, Category 5E, shielded cable

SERIAL COMMUNICATIONS

Telemetry: RS-485 (MAXIMUS MPX only)
Remote resetting: for MAXIMUS MPXHD only

VIDEO

1 coaxial cable, RG179

I/O INTERFACE

Alarms: 1 for MAXIMUS MPXHD, 2 for MAXIMUS MPX
Relay: 1

ENVIRONMENT

Temperature: from -60°C (-76°F) up to +80°C (+176°F)
Type of laying: fixed installation
Oil resistant (complies with CNOMO E.03.40.150N, ASTM n.2, IRM 902, VDE 0472 p.803 test B)
UV resistant (complies with ICE 60068-2-5)
Flame resistant (complies with IEC/EN 60332-1, IEC/EN 60332-3-22)

COMPLIANCE

IEC/EN 60079-14 (ATEX Ex II)
IP protection degree: IP66 (cable gland only)

PART NUMBER

MPXCABLARM4	Cabling for MPX/MPXHD, 4m (13ft) (armoured cable and barrier cable gland): 1 Ethernet cable, 3 power supply wires, 1 coaxial video cable, 7 wires for alarms, relay and telemetry
MPXCABLARM10	Cabling for MPX/MPXHD, 10m (394in) (armoured cable and barrier cable gland): 1 Ethernet cable, 3 power supply wires, 1 coaxial video cable, 7 wires for alarms, relay and telemetry

Part number to order with a PTZ camera. The cabling will be pre-installed in the PTZ in Videotec.

SPARE PARTS

OCABLMPXARM4	Cabling for MPX/MPXHD, 4m (13ft) (armoured cable and barrier cable gland): 1 Ethernet cable, 3 power supply wires, 1 coaxial video cable, 7 wires for alarms, relay and telemetry
OCABLMPXARM10	Cabling for MPX/MPXHD, 10m (394in) (armoured cable and barrier cable gland): 1 Ethernet cable, 3 power supply wires, 1 coaxial video cable, 7 wires for alarms, relay and telemetry

WASEX**GENERAL**

Enclosure made of stainless steel AISI 316L
Water delivery pipe supplied

MECHANICAL

Pressure: 4bar max
Delivery head: 20m (66ft)
Pipe material: Antistatic plastic
Water tank capacity: 10l (2.6gal)
Dimensions (WxHxL): 429x697x255mm (16.9x27.4x10in)
Unit weight: 18kg (40lb)

ELECTRICAL

Power supply: 24Vac or 24Vdc, 50/60Hz
Consumption: 5W

ENVIRONMENT

For installation indoors and outdoors
Operating temperature of solenoid valve: From -40°C (-40°F) up to +60°C (140°F)
Operating temperature of device: depending on the solidification temperature of the liquid

CERTIFICATIONS

Lloyd's Register Marine Type Approval
• Test Specification Number 1:2015 (ENV1, ENV2, ENV3, ENV5)

EAC EX:

- 1 Ex d IIC T4 Gb X, IP66 -40°C/+60°C
- Ex tb IIIC T130°C Db X, IP66 -40°C/+60°C

Solenoid valve:

ATEX (EN 60079-0: 2012+A11: 2013, EN 60079-1: 2014, EN 60079-31: 2014)

- ⊕ 2 II GD Ex d IIC T6 or T5 or T4 Gb
Ex tb IIIC T80°C or 95°C or T130°C Db IP66
Tamb -40°C to +35°C or +50°C or +60°C

INMETRO

- Ex d IIC T4 Gb IP66
- Ex tb IIIC T135°C Db IP66
- Tamb -40/+60°C (-40°F / +140°F)

EAC EX:

- 1 Ex d IIC T4 Gb X
- Ex tb IIIC T130°C Db X, IP66 -40°C/+60°C

PART NUMBER

WASEX2T4AT	Tank 10l (2.6gal) with integrated manual pump controlled by ATEX certified solenoid valve, delivery head up to 20m (66ft) max, IN 24Vac/Vdc
WASEX2T4GOR	Tank 10l (2.6gal) with integrated manual pump controlled by EAC EX certified solenoid valve, delivery head up to 20m (66ft) max, IN 24Vac/Vdc
WASEX2T4IN	Tank 10l (2.6gal) with integrated manual pump controlled by INMETRO certified solenoid valve, delivery head up to 20m (66ft) max, IN 24Vac/Vdc

FM1010**ELECTRICAL**

Electrical data: from 0 up to 250V DC/AC 50/60 Hz, 6A

PART NUMBER

FM1010	EMC filter for Marine certification
--------	-------------------------------------

MAXIMUS MBA

MECHANICAL

Copper-free marine grade aluminum construction

RAL 9006 epoxy exterior painting

Mounting holes: 4 x Ø13mm (0.5in)

Cable gland holes: 4 x 3/4" NPT + 2 x 1/2" NPT

External dimensions (WxHxL): 305x228x340mm (12x9x13.5in)

Unit weight: 15kg (33.5lb)

ELECTRICAL

MBA works with all MAXIMUS products in 24Vac.

Recommended installation configurations:

- 1 PTZ + 1 washing kit
- 2 cameras + 2 washing kits

Maximum power output: 120W

Input voltages available:

- 230Vac, 50/60Hz
- 24Vac, 50/60Hz
- 120Vac, 50/60Hz

NETWORK

4 Ethernet switch channels:

3 RJ45 ports

- Ethernet connection: 10BASE-T/100BASE-T

1 SFP port (SMALL FORM FACTOR PLUGGABLE)

- Ethernet connection: 100BASE-FX
- Supply voltage: 3.3V
- Standard: compliant MSA

ANALOGUE VIDEO

2 bypass for analog video signals with BNC connectors

I/O INTERFACE

2 bypass for I / O signals with multi-pin connectors

ENVIRONMENT

For installation indoors and outdoors

Installation temperature: from -60°C (-76°F) up to +80°C (+176°F) (T5) or +60°C (140°F) (T6)

Operating temperature: from -40°C (-40°F) up to +70°C (158°F)

Relative humidity: from 10% up to 95%

CERTIFICATIONS

ATEX (EN 60079-0:2013/A11:2013, EN 60079-1:2007, EN 60079-31:2009)

IECEX (IEC 60079-0 Ed.6, IEC 60079-1 Ed.6, IEC 60079-31 Ed.2)

Electrical safety (CE): EN60950-1, IEC60950-1

Electromagnetic compatibility:

- CE: EN50130-4, EN55032 (Class B), EN61000-6-4
- FCC: Part 15 (Class B)
- ICES-003 (Class B)

IP protection degree (EN60529):

- IP66

ACCESSORIES

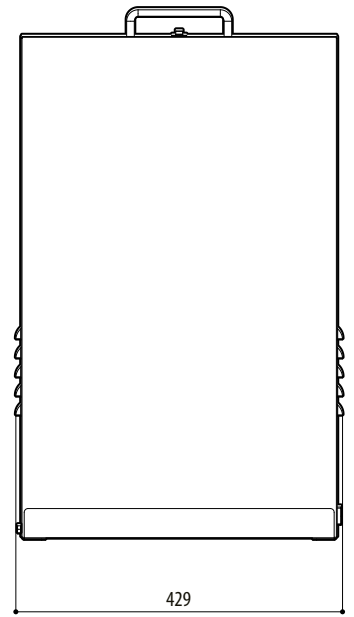
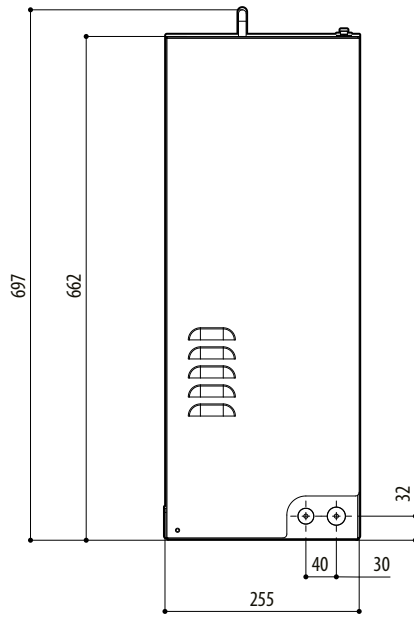
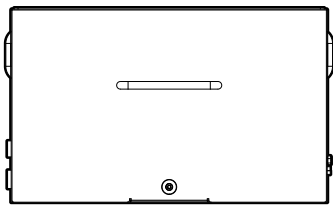
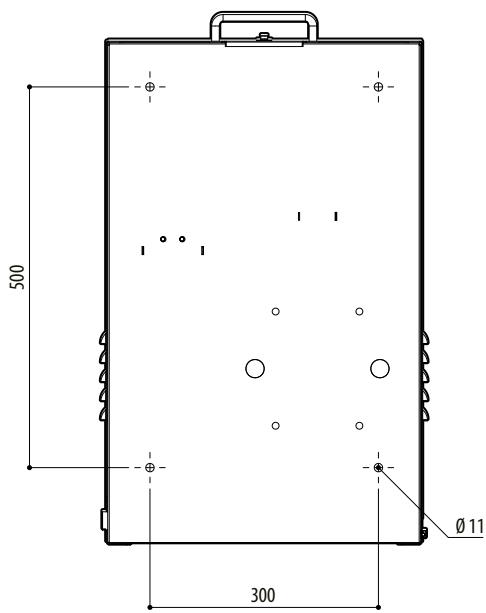
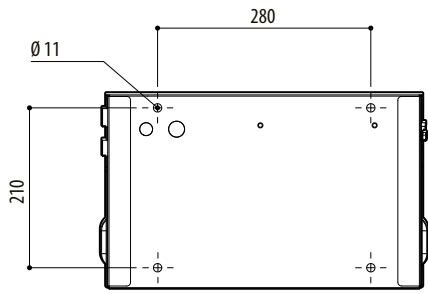
OCTEXBA3/4P	Barrier cable gland in nickel-plated brass EX 3/4" NPT, armoured cable IECEX-ATEX-EAC Ex
OCTEXBA1/2P	Barrier cable gland in nickel-plated brass EX 1/2" NPT, armoured cable IECEX-ATEX-EAC Ex
OCTEXB3/4P	Barrier cable gland in nickel-plated brass EX 3/4" NPT, unarmoured cable IECEX-ATEX-EAC Ex
OCTEXB1/2P	Barrier cable gland in nickel-plated brass EX 1/2" NPT, unarmoured cable IECEX-ATEX-EAC Ex
OEXPLUG3/4P	Plug EX 3/4" NPT IECEX-ATEX-EAC Ex
OEXPLUG1/2P	Plug EX 1/2" NPT IECEX-ATEX-EAC Ex
OCTEX1/2-3/4P	Cable glands reduction in nickel-plated brass Ex 3/4" - 1/2" NPT IECEX-ATEX-EAC Ex

PACKAGE

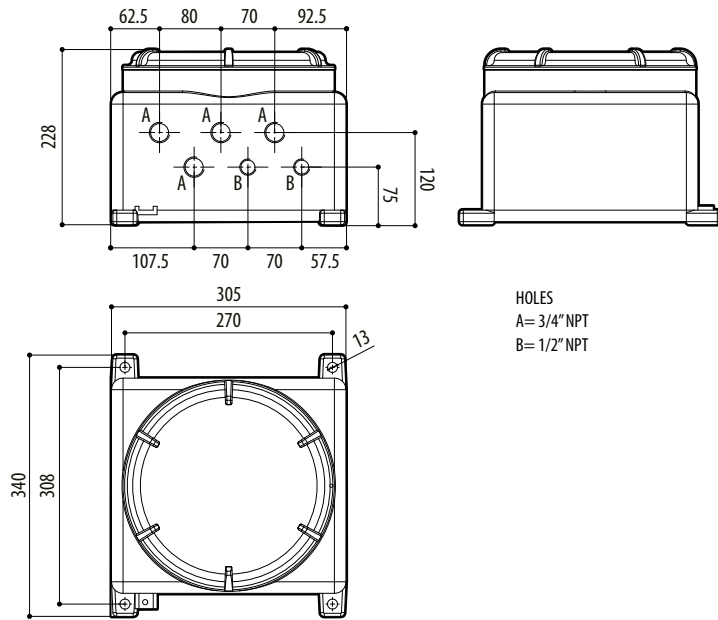
Model Number	Weight	Dimensions (WxHxL)	Master carton
MBA155A	17kg (37lb)	66x33x57cm (26x13x22in)	-

TECHNICAL DRAWINGS

The dimensions of the drawings are in millimetres.



WASEX



HOLE
 A= 3/4" NPT
 B= 1/2" NPT

MAXIMUS MBA